

Saberbloc Module



Datasheet Code 5-5-01 E

MSDS Code 104-9-EURO REACH

© 2009 Morgan Thermal Ceramics, a business within the Morgan Ceramics Division of The Morgan Crucible Company plc



DESCRIPTION

Saberbloc refractory fiber modules are lightweight, insulating linings made in block form for direct attachment to industrial furnace and kiln shells.

Saberbloc Modules are made from high quality needled Blanket, pre-compressed to a specific density, and held in position with stainless steel reinforcement and mounting hardware made up of centre rod positioned within the folds and connected to a channel on the cold face of the module. These prefabricated modules are designed to meet the thermal insulation requirements of high temperature furnaces.

During installation, the modules are further compressed, the resilience of the fiber and recovery ensure tightly-compressed inter-modular joints.

TYPE

Refractory fiber blankets in modular form

CLASSIFICATION TEMPERATURE

Saberbloc Module : 1260 °C & 1425 °C
Saberbloc III Module : 1260 °C & 1425 °C

AVAILABILITY

Standard sizes:
300mm thick X 300 mm width X 300 mm length

FEATURES

- Faster insulation
- Reduced shrinkage compared to layered lining
- Versatile and be easily cut on the site to suit awkward configurations
- Low heat storage
- Superior thermal stability and shock resistance
- Resilient to mechanical damage

APPLICATIONS

- High temperature furnace
- Kiln and Heater linings
- Coil annealing furnaces
- Reheat furnace door linings
- Ammonia reformers and crude oil heater linings
- Shuttle and Tunnel Kilns

AUTH. CHANNEL PARTNER - VARSHA REFRACTORIES PVT. LTD.

Address : 04, Kailash Appt. R P Road, Near D Mart, Old RTO Compound, Behind Gurudev Hotel, Kalyan (W) 421301 Tel : 0251-2314832 / 2318832 Fax : 2314831

Email : refractory9@gmail.com Website : www.varsharefractories.com

Saberbloc Module



MAJOR PROPERTIES

Density kg/m ³	>160
---------------------------	------

Chemical Composition (%)	1260 °C	1425 °C
Al ₂ O ₃	42 – 46	33 – 37
SiO ₂	52 – 58	48 – 52
ZrO ₂	-	13 – 17

DIMENSIONS & AVAILABILITY

The modules can be made with other sizes and densities are available on request

The values given herein are typical values obtained in accordance with accepted test methods and are subject to normal manufacturing variations. They are supplied as a technical service and are subject to change without notice. Therefore, the data contained herein should not be used for specification purposes. Check with your Thermal Ceramics office to obtain current information.

AUTH. CHANNEL PARTNER - VARSHA REFRACTORIES PVT. LTD.

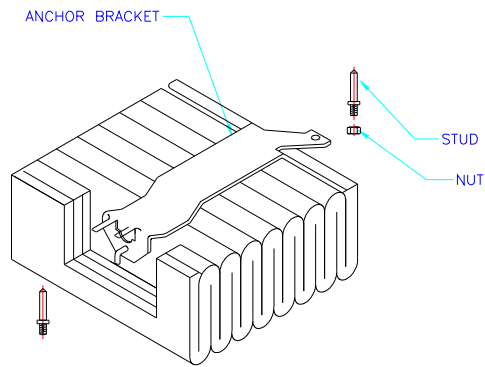
Address : 04, Kailash Appt. R P Road, Near D Mart, Old RTO Compound, Behind Gurudev Hotel, Kalyan (W) 421301 **Tel :** 0251-2314832 / 2318832 **Fax :** 2314831

Email : refractory9@gmail.com **Website :** www.varsharefractories.com

Saberbloc Module

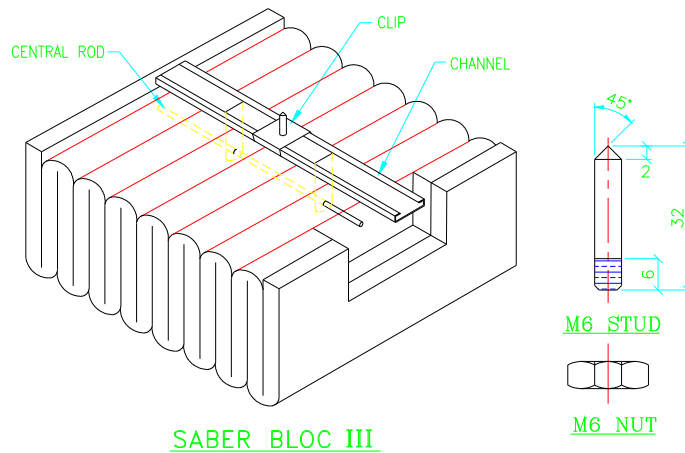


DESCRIPTION OF THE FASTENING SYSTEM



SABER BLOC MODULE

EACH MODULE CONSISTS OF TWO STUDS & ONE M6 NUT



SABER BLOC III

The values given herein are typical values obtained in accordance with accepted test methods and are subject to normal manufacturing variations. They are supplied as a technical service and are subject to change without notice. Therefore, the data contained herein should not be used for specification purposes. Check with your Thermal Ceramics office to obtain current information.

AUTH. CHANNEL PARTNER - VARSHA REFRACTORIES PVT. LTD.

Address : 04, Kailash Appt. R P Road, Near D Mart, Old RTO Compound, Behind Gurudev Hotel, Kalyan (W) 421301 Tel : 0251-2314832 / 2318832 Fax : 2314831

Email : refractory9@gmail.com Website : www.varsharefractories.com